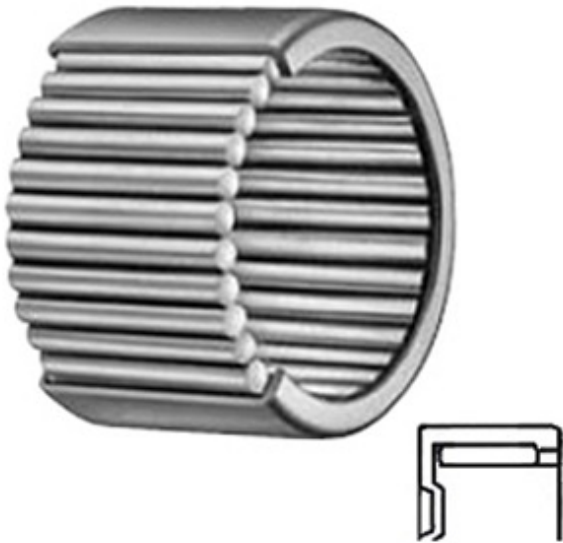




## Guangzhou Ouster Hydraulic Co., Ltd.



0.375 Inch | 9.525 Millimeter x 0.625 Inch |  
 15.875 Millimeter x 0.5 Inch | 12.7 Millimeter  
 KOYO MH-681-R Needle Non Thrust Roller  
 Bearings

Bearing No. MH-681-R

MH-681-R Bearing 2D drawings and 3D CAD models

Category	Needle Non Thrust Roller Bearings
Inventory	0.0
Manufacturer Name	KOYO
Minimum Buy Quantity	N/A
Weight	0.009
EAN	0605790192012
Product Group	B04144
Rolling Element	Needle Roller Bearing
Component	Roller Assembly with Outer Ring - No Inner Ring
Enclosure	Open
Self Aligning	No
Retainer	No
Number of Rows of Rollers	Single Row
Separable	No
Closed End	Yes
Inch - Metric	Inch
Relubricatable	No
Thrust Bearing	No
Long Description	3/8" Bore; 5/8" Outside Diameter; 0-1/2" Width; Needle Roller Bearing; Roller Assembly with Outer Ring - No Inner Ring; Open Enclosure; No Self Aligning;



## Guangzhou Ouster Hydraulic Co., Ltd.

	No Retainer; Single Row of Roll
Other Features	1 Rib Outer Ring   Drawn Cup Bearing   Full Complement   Heavy Duty
Category	Needle Non Thrust Roller Bearing
UNSPSC	31171512
Harmonized Tariff Code	8482.40.00.00
Noun	Bearing
Keyword String	Needle
Manufacturer URL	<a href="http://www.koyousa.com">http://www.koyousa.com</a>
Manufacturer Item Number	MH-681-R
Weight / LBS	0.02
d	0.375 Inch   9.525 Millimeter
B	0.5 Inch   12.7 Millimeter
D	0.625 Inch   15.875 Millimeter