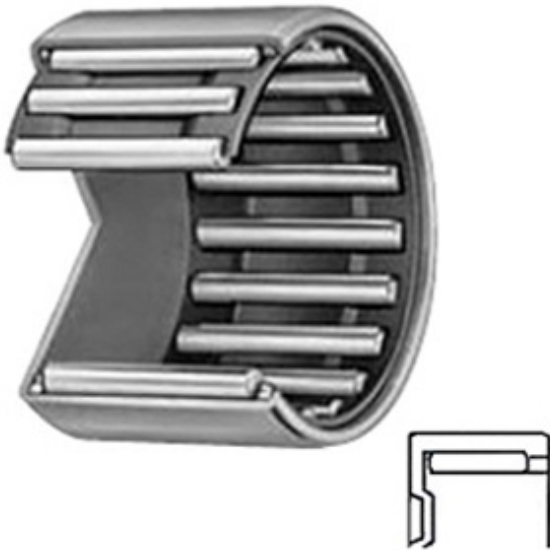




Guangzhou Ouster Hydraulic Co., Ltd.



BAM1916 Bearing 2D drawings and 3D CAD models

1.188 Inch | 30.175 Millimeter x 1.5 Inch | 38.1 Millimeter x 1 Inch | 25.4 Millimeter IKO
 BAM1916 Needle Non Thrust Roller Bearings

Bearing No. BAM1916

Category	Needle Non Thrust Roller Bearings
Inventory	0.0
Manufacturer Name	IKO
Minimum Buy Quantity	N/A
Weight	0.057
EAN	4549557002748
Product Group	B04144
Rolling Element	Needle Roller Bearing
Component	Roller Assembly with Outer Ring - No Inner Ring
Enclosure	Open
Self Aligning	No
Retainer	Yes
Number of Rows of Rollers	Single Row
Separable	No
Closed End	Yes
Inch - Metric	Inch
Relubricatable	No
Thrust Bearing	No
Long Description	1-3/16" Bore; 1-1/2" Outside Diameter; 1" Width; Needle Roller Bearing; Roller Assembly with Outer Ring - No Inner Ring; Open Enclosure; No Self Aligning; Yes Retainer;



Guangzhou Ouster Hydraulic Co., Ltd.

	Single Row of Ro
Other Features	1 Rib Outer Ring Drawn Cup Bearing
Category	Needle Non Thrust Roller Bearing
UNSPSC	31171512
Harmonized Tariff Code	8482.40.00.00
Noun	Bearing
Keyword String	Needle
Manufacturer URL	http://www.ikont.com
Manufacturer Item Number	BAM1916
Weight / LBS	0.126
d	1.188 Inch 30.175 Millimeter
B	1 Inch 25.4 Millimeter
D	1.5 Inch 38.1 Millimeter