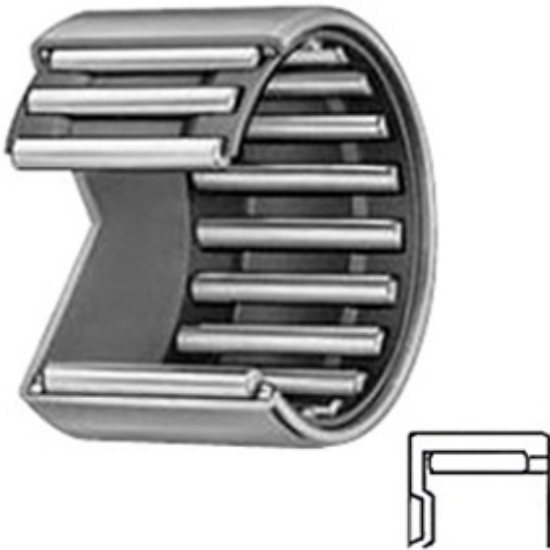




Guangzhou Ouster Hydraulic Co., Ltd.



1.5 Inch | 38.1 Millimeter x 1.875 Inch | 47.625
 Millimeter x 0.5 Inch | 12.7 Millimeter IKO
 BAM248 Needle Non Thrust Roller Bearings

Bearing No. BAM248

BAM248 Bearing 2D drawings and 3D CAD models

Category	Needle Non Thrust Roller Bearings
Inventory	0.0
Manufacturer Name	IKO
Minimum Buy Quantity	N/A
Weight	0.047
EAN	4549557002878
Product Group	B04144
Rolling Element	Needle Roller Bearing
Component	Roller Assembly with Outer Ring - No Inner Ring
Enclosure	Open
Self Aligning	No
Retainer	Yes
Number of Rows of Rollers	Single Row
Separable	No
Closed End	Yes
Inch - Metric	Inch
Relubricatable	No
Thrust Bearing	No
Long Description	1-1/2" Bore; 1-7/8" Outside Diameter; 1/2" Width; Needle Roller Bearing; Roller Assembly with Outer Ring - No Inner Ring; Open Enclosure; No Self Aligning; Yes Retainer; Single Row of



Guangzhou Ouster Hydraulic Co., Ltd.

	R
Other Features	1 Rib Outer Ring Drawn Cup Bearing
Category	Needle Non Thrust Roller Bearing
UNSPSC	31171512
Harmonized Tariff Code	8482.40.00.00
Noun	Bearing
Keyword String	Needle
Manufacturer URL	http://www.ikont.com
Manufacturer Item Number	BAM248
Weight / LBS	0.105
B	0.5 Inch 12.7 Millimeter
D	1.875 Inch 47.625 Millimeter
d	1.5 Inch 38.1 Millimeter